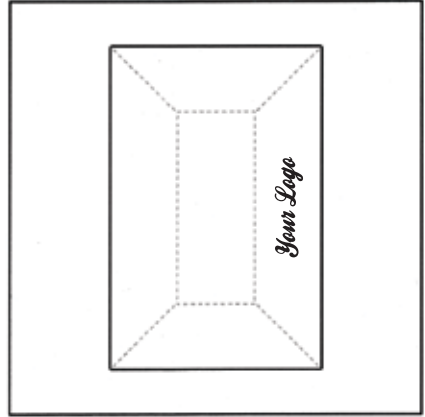


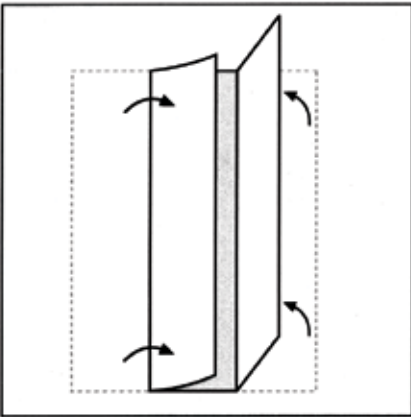
Storing and Caring for your Table Cover



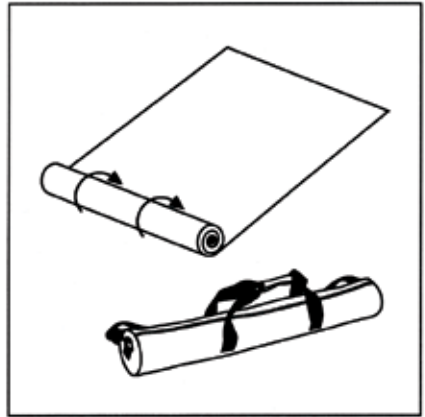
1. Remove the throw from the table.



2. Lay throw out flat on the floor with graphics facing up.



3. Fold throw in thirds lengthwise with graphics to the inside, starting at the back seam.



4. Finally, roll the throw onto the packing tube that it shipped with. When completely rolled, pack in a soft case (sold separately) until next use.

Caring for CLOTH COVERS

Machine Wash on **Gentle Cycle** using mild detergent. Tumble Dry on **Low Heat** setting only.

Do Not Iron.

Caring for VINYL COVERS

Spot Clean Only!
Not Machine Washable.