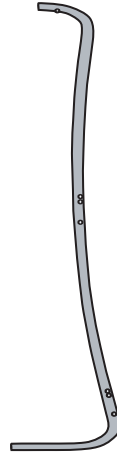


Note: The directions are the same for each shape.

Assemble the Stand

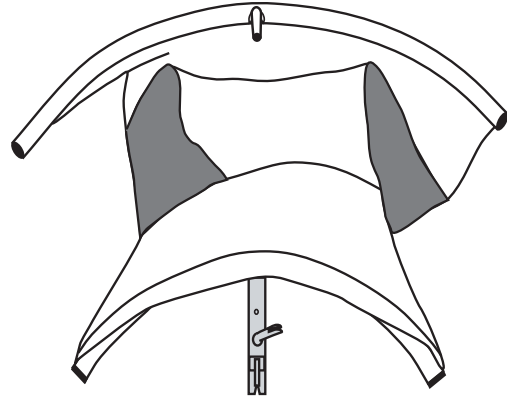


Top
(with light hole)



Bottom
(without hole)

Top
(without connector)



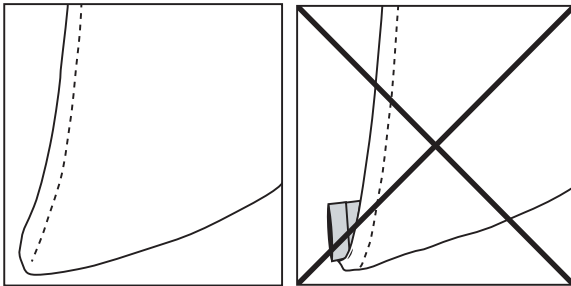
Bottom
(with connector)

1

Assemble pole.

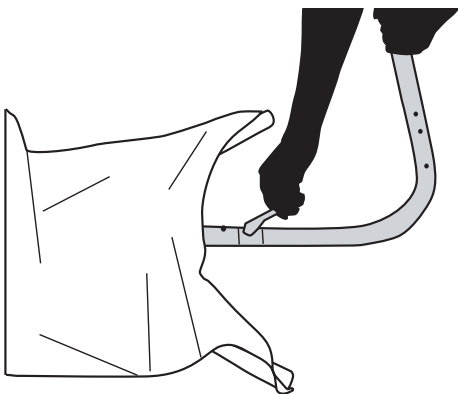
2

Find bottom and top of graphic and pole.



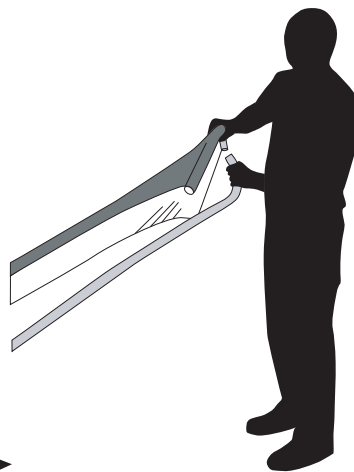
Important:

Verify the graphic is not twisted and that the graphic covers the corners.



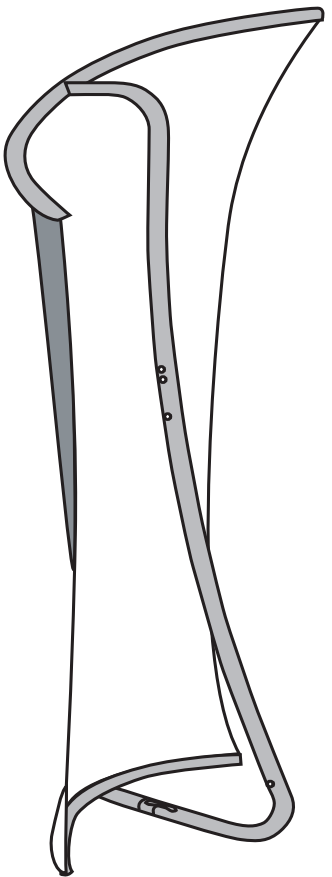
3

Insert bottom and lock connector by rotating handle clockwise and pushing handle down.



4

Insert top by sliding tapered end into top of pole and push flush.



5

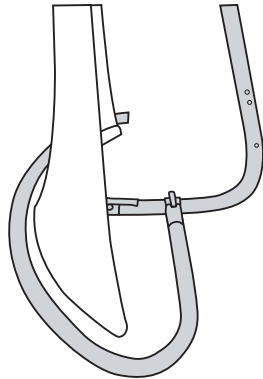
Adjust lean to make vertical.



-After prolonged periods of storage, the graphic may have wrinkles. To eliminate the wrinkles leave the stand set-up for several hours or use a steamer.*

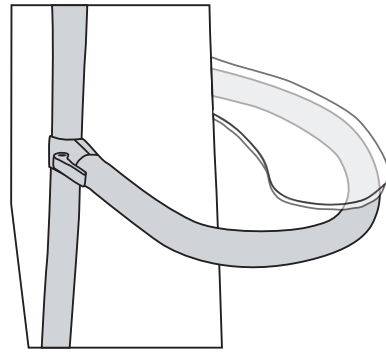
*A Micro Steamer option is available.

Connect the Shelf



1

Attach support base.* (Tube without hole)
*Left Slope, Right Slope, and Fountain only



2

Attach shelf. (Tube with hole)



- To avoid damaging the acrylic shelf when disassembling the stand, be sure to detach the shelf from the utility bar before removing the utility bar from the stand.
- Guarantee excludes scratching or breaking of acrylic shelf.
- The higher the shelf is positioned, the more likely it is to touch the side of the graphic.
- To improve the strength of the shelf and base tube tighten the connector clamps.

Shelf Placement*

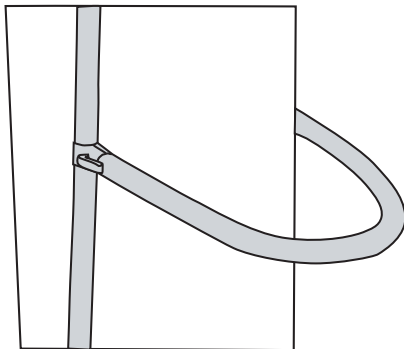
Left Slope	30" h to 46" h
Right Slope	30" h to 46" h
Fountain	30" h to 46" h
Bow	36" h (not adjustable)

*Shelf and base can connect from either side

Weight Limit

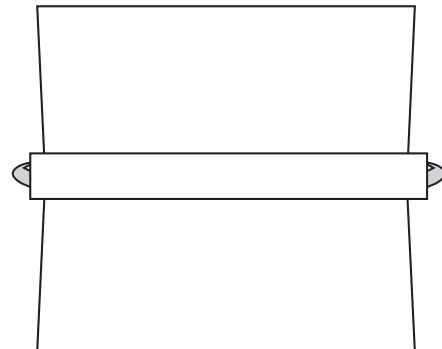
-12 lbs. max per shelf
-20 lbs. combined total
for multiple shelves

Connect the Stand Off Graphic



1

Attach utility bar to main pole.*
*Can connect from either side



2

Attach stand off graphic to utility bar with Velcro strip.



- Utility bar can be placed anywhere between 20" h and 46" h.
- The lower the stand off graphic is positioned, the closer it will be to the main graphic.